

J E D F N E s I S D k C

594021201

SIGMA

AF-MF ZOOM LENS

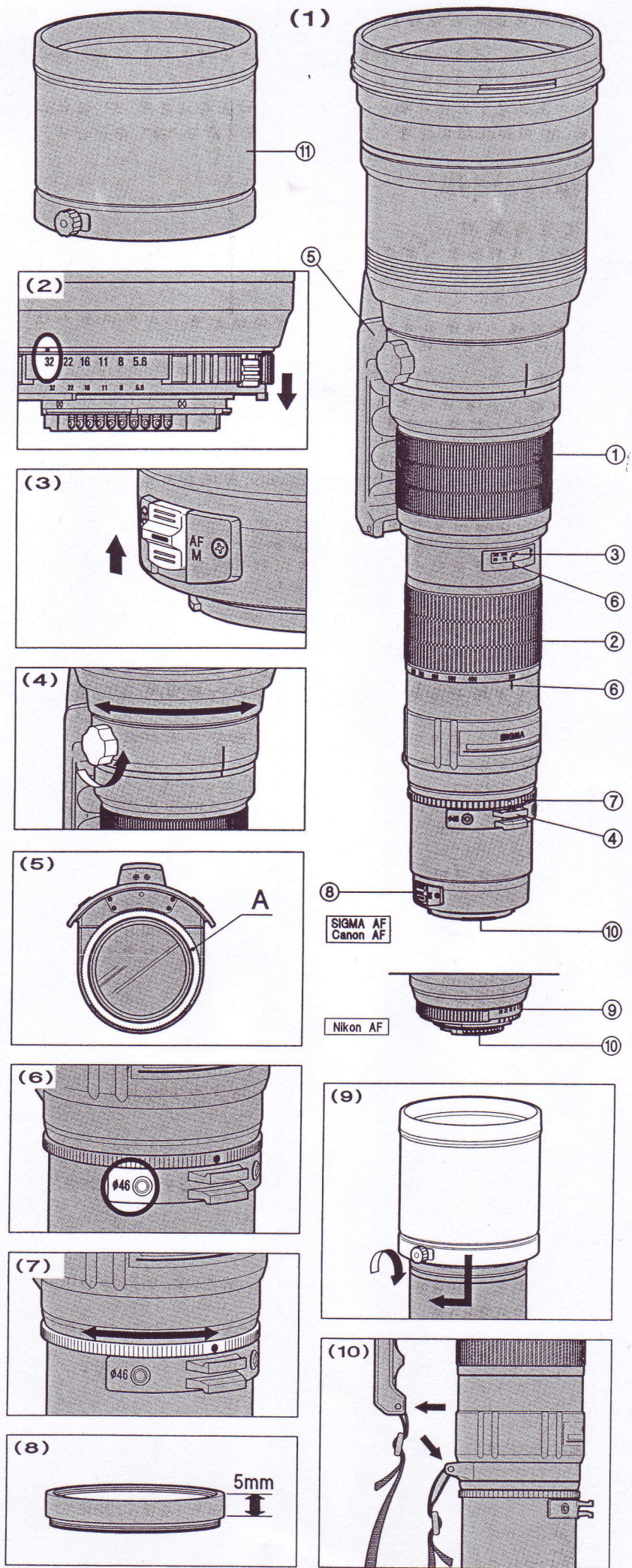
APO 300-800mm F5.6 EX

使用説明書

INSTRUCCIONES

INSTRUCTIONS

ISTRUZIONI PER L'USO



Thank you for purchasing a Sigma lens. In order to get the maximum performance and enjoyment out of your Sigma lens, please read this instruction booklet thoroughly before you start to use the lens.

DESCRIPTION OF THE PARTS (fig.1)

- | | |
|--------------------|---|
| ① Focus Ring | ⑦ Filter Rotator Ring |
| ② Zoom Ring | ⑧ Focus Mode Switch
(Sigma SA and Canon AF only) |
| ③ Distance Scale | ⑨ Diaphragm Control Ring (Nikon AF only) |
| ④ Filter Holder | ⑩ Mount |
| ⑤ Tripod Socket | ⑪ Lens Hood |
| ⑥ Focus Index Line | |

ATTACHING TO THE CAMERA BODY

When this lens is attached to the camera body it will automatically function in the same way as your normal lens. Please refer to the instruction booklet for your camera body.

- ◆ On the lens mount surface, there are a number of couplers and electrical contacts. Please keep them clean to ensure proper connection. To avoid damaging the lens, be especially sure to place the lens with its front end down while changing the lens.
- ◆ Many accessories such as rear mounted teleconverters, extension tubes, etc., are specially made for designated lenses. Before you purchase such accessories, please check your Sigma lens to determine that it is compatible and that the accessories will function properly with it.

Please only use Sigma APO Tele Converter 1.4x or Sigma APO Tele Converter 2x for this lens.

SETTING THE EXPOSURE MODE

When a Sigma lens is mounted on your camera, it functions in the same manner as your normal lens. However, depending on the camera body, the exposure settings may vary. Please refer to the camera instruction book. The basic setting is as follows:

〈For Sigma SA, Canon AF〉

Exposure modes and Diaphragm values are set by the controls, on the camera body, therefore the lens does not have a diaphragm control ring. Please refer to your camera's instruction booklet.

〈For Nikon AF/MF,〉

When you use the Program exposure mode or Shutter speed priority auto mode, the Diaphragm control ring must be set to the smallest F-stop (i.e. largest number). All Nikon AF/MF and Minolta MF lenses have a safety button which should be moved to the lock position (fig2). When you use the Aperture priority auto mode or Manual exposure mode, unlock the button and set the Diaphragm value by turning the ring.

FOCUSING AND ZOOMING

〈for Sigma AF, Canon AF and Nikon AF〉

This lens feature a built-in Hyper Sonic Motor (HSM). The HSM enables quick and quiet autofocus. For autofocus operation, set the focus mode switch on the lens to "AF" position.(fig.3) If you wish to focus manually, set the focus mode switch on the lens to the "MF" position. You can adjust the focus by turning the focus ring.

- ◆ This lens also permits manual focusing even in the autofocus mode.
With the camera set to the One-Shot AF (AF-S) mode, you can adjust focus manually after the lens autofocuses (and stops), while the shutter button is pressed halfway.
- ◆ This lens operates both in manual and autofocus modes with the following Nikon Camera.

F5, F4-series, F100, F90X/N90S, F90/N90, F80/N80, F70/N70, F65/N65,
PRONEA600, PRONEAS, D1-series, D100

However, other models of Nikon cameras which are not noted on the above list can be used in the manual focus mode, not in the autofocus mode.

- ◆ The viewfinder of some Nikon AF cameras have indicators to display the focus status. The "●" symbol indicates that correct focus has been set, "▶" indicates that focus is set in front of the subject, and "◀" indicates that focus is set behind the subject. When this AF lens is used with Nikon AF cameras in MF mode, please adjust the lens' focus until the "●" symbol is visible.

〈Zooming〉

Rotate the Rubber grip on the zoom ring to the desired position.

TRIPOD SOCKET AND COLLAR

This lens is equipped with a tripod socket. When you loosen the locking knob on the collar, the lens and camera can rotate freely to easily position the camera horizontally or vertically (fig. 4).

FILTER

To attach a filter to the lens assembly, please use the filter holder that is inserted into the lens barrel near the rear of the lens assembly. This unit has a removable filter holder that fits a 46mm filter.

FILTER HOLDER

A normal (clear) filter is already supplied with your Lens Filter Holder. To remove the filter from the lens, first press together the filter holder clip. Then remove the filter holder from the lens barrel. In order to remove the filter, you must hold Ring A in place and then unscrew the filter turning in a counterclockwise direction (fig.5). To install another filter, you must hold Ring A so that it cannot move and then place your filter in the holder by turning it in a clockwise direction. To re-install the filter holder into the lens barrel, the notation (ø46) must be on the left side of the holder while the lens faces away from you (fig.6).

- ◆ Gray colored Polarizing (PL) Filter is supplied with your lens as one of its accessories. The function of this filter is the reduction of the undesired reflections that are produced by glass or water surfaces. In addition, it increases the contrast of landscape pictures and darkens blue skies. Please turn your filter rotator ring while looking through the viewfinder to set the desired picture taking position (fig.7).
- ◆ This lens has been designed to deliver optimum performance with a filter installed in the lens assembly. The quality of the picture decreases if the filter is not installed inside the lens. Please, always use a filter inside the lens assembly. Stray light and dust entering from the insertion slot of the filter holder can affect exposure and cause poor pictures if the filter holder is not in the lens assembly.
- ◆ The position of the white dot on the rotator ring is important for filters that use rotation movement as a filtering process, such as polarizing (PL) filters.
- ◆ Please check the filter dimensions before you purchase extra filters. Some of the 46mm filters have a very thick ring and impede the filter holder from being inserted into the filter slot on the lens assembly. The thickness of the ring over its screw must be less than or equal to 5mm (fig.8).
- ◆ This lens assembly accepts only Sigma Polarizing (PL) filters. The Polarization filters of other brands may not be adaptable to your lens assembly.

LENS HOOD

A bayonet type detachable hood is provided with the lens. This lens hood helps to prevent flare and ghosted images caused by bright illumination from outside the picture area. Attach the hood and turn clockwise until it stops rotation, then lock the knob to fix the hood (fig.9).

- ◆ In order to place the lens and hood into the storage case, you must first remove the hood, then replace it on the lens in the reverse position.

SHOULDER STRAP

Please attach the shoulder strap to the slings as described in figure 10.

BASIC CARE AND STORAGE

- ◆ Avoid any shocks or exposure to extreme high or low temperatures or to humidity.
- ◆ For extended storage, choose a cool and dry place, preferably with good ventilation. To avoid damage to the lens coating, keep away from mothballs or naphthalene gas.
- ◆ Do not use thinner, benzine or other organic cleaning agents to remove dirt or finger prints from the lens elements. Clean by using a soft, moistened lens cloth or lens tissue.
- ◆ This lens is not waterproof. When you use the lens in the rain or near water, keep it from getting wet. It is often impractical to repair the internal mechanism, lens elements and electric components damaged by water.
- ◆ Sudden temperature changes may cause condensation or fog to appear on the surface of the lens. When entering a warm room from the cold outdoors, it is advisable to keep the lens in the case until the temperature of the lens approaches room temperature.

SPECIFICATIONS

Lens construction	16 - 18
Angle of View	8.2°~3.1°
Minimum Aperture	32
Minimum Focusing Distance	6m(19.7ft)
Magnification	1 : 6.9
Filter Size	46mm
Dimensions Dia. xLength	156.5x541.5mm(6.2x21.3in)
Weight	5870g(188oz)

Dimensions and weight include the Nikon mount.



The CE Mark is a Directive conformity mark of the European Community (EC).

SIGMA(Deutschland)GmbH Carl-Zeiss-Str. 10/2, D-63322 Rödermark, F.R.GERMANY
Verkauf : 06074-8651655 Service : 06074-8651666 Fax : 06074-8651677